

CATALOG

2022

OCIUS®

WE MODERNIZED YOUR SPACE

www.ocius-hardware.com

TABLE OF CONTENTS



PART ACCESORIES

Railing Glass	02	Door Handle 150 cm	17
Cubicle Toilet (Glass Cubicle)	04	Door Handle	18
Cubicle Toilet (Phenolic Cubicle)	08	Floor Hinge	19
Connector For Tube	09	Floor Pivot	20
Glass Clip	10	Semi Automatic Door	21
Shower Hinge (Stainless Steel)	11	Heavy Duty Automatic Sliding Door	23
Sliding Door Lock	13	Automatic Sliding Door	24
Sliding Door Handle	14	Spider Fitting	26
Knob Handle	14	Folding Door	30
Kop Kaca	14	Heavy Duty Folding Door	32
Spigot	14	Canopy	33
Ambalan	14	Balustrade	33
Grandle	15	Waterseal	34
Patch Fitting	16	Non Automatic Sliding Door	35
Heavy Duty Patch Fitting	17	Sliding Door Single Screen	38
		Sliding Door Corner Screen	44

SET PRODUCT

NON AUTOMATIC SLIDING DOOR

L 310 B	35
OSD 049	36
OSD 330	36
OSD 408	36

SLIDING DOOR SINGLE SCREEN

OSD 054 SET	38
OSD 066 SET	40
OSD 078 SET	42

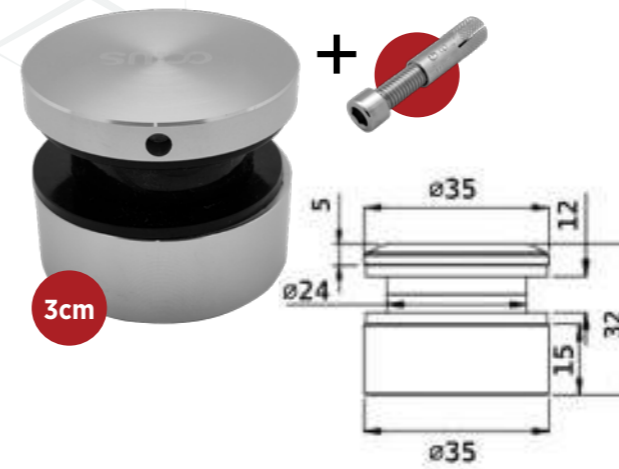
SLIDING DOOR CORNER SCREEN

OSD 078 SET	44
--------------------	-----------

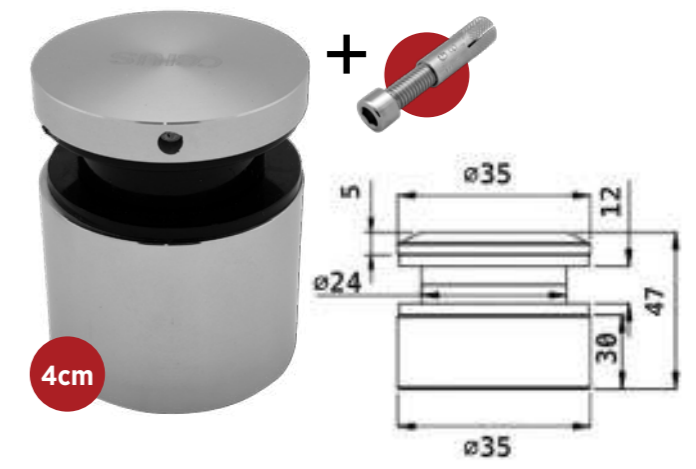


RAILING GLASS

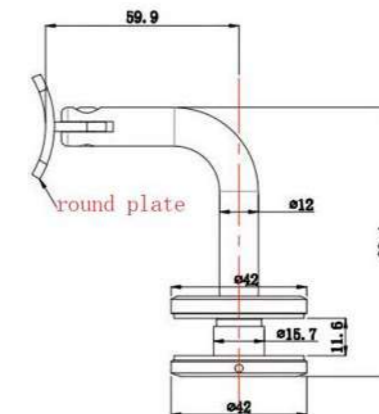
OGR 0390-3
Tombol Railing Tangga



OGR 0390-4
Tombol Railing Tangga

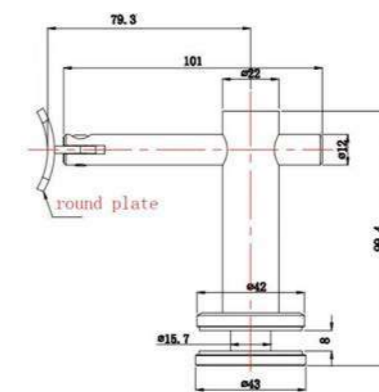


OGR 0100 R/F
Railing Tangga



F
Bentuk ujung datar

OGR 0200 R/F
Railing Tangga Flexible



R
Bentuk ujung melengkung



CUBICLE TOILET

GLASS CUBICLE

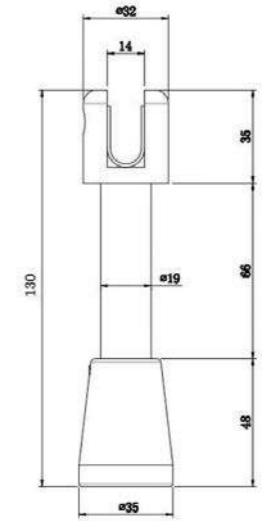
OCTA 1



OCTA 1F

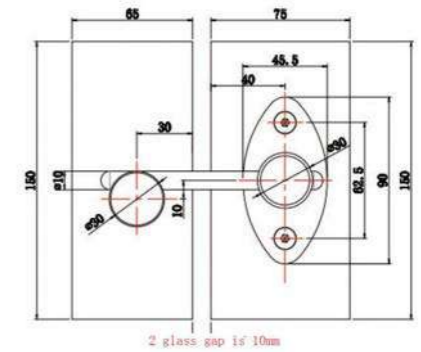
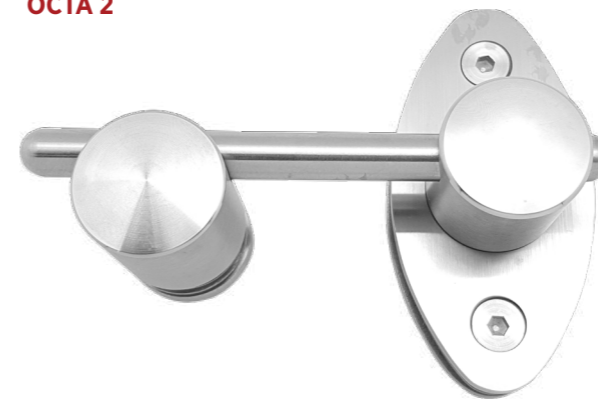


OCTA 1R

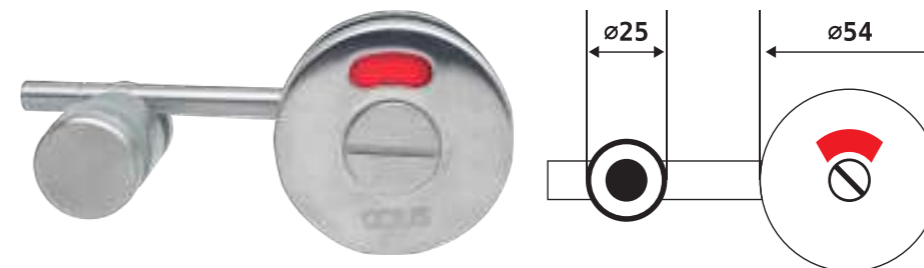


Spesifikasi OCTA 1

OCTA 2

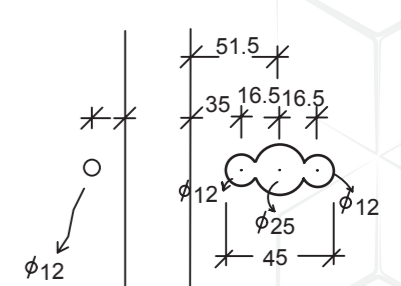


OCTA 2 C



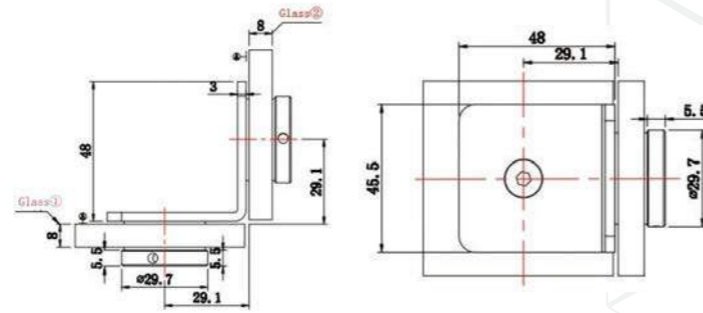
LUBANG KACA

Ukuran : MM



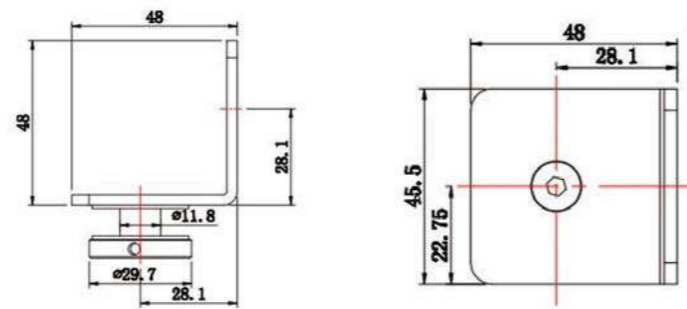
OCTA 3 G

Clip kaca ke kaca

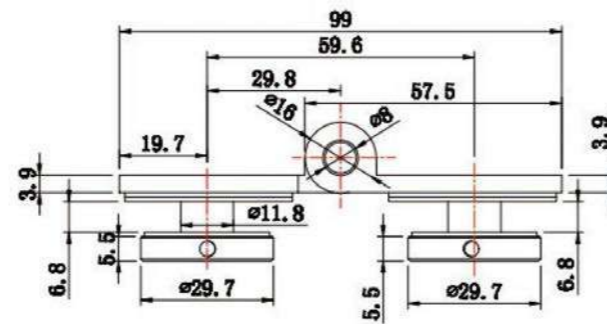


OCTA 3 W

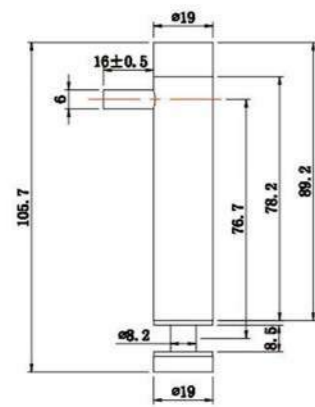
Clip kaca ke tembok



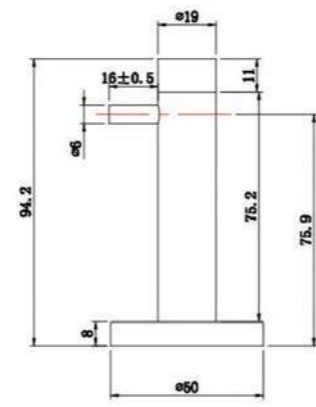
OCTA 6



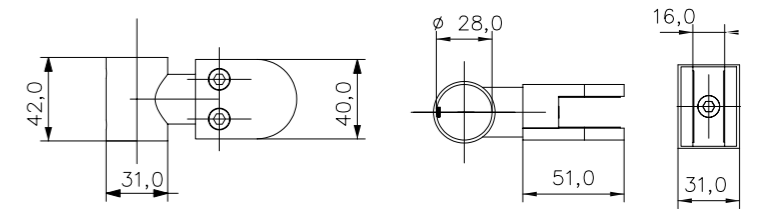
OCTA 7 G



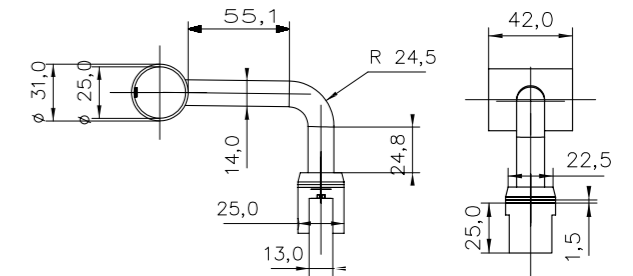
OCTA 7 W



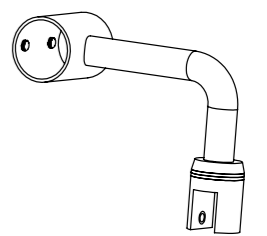
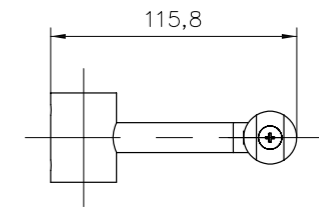
OCTA 8 B



OCTA 9 B

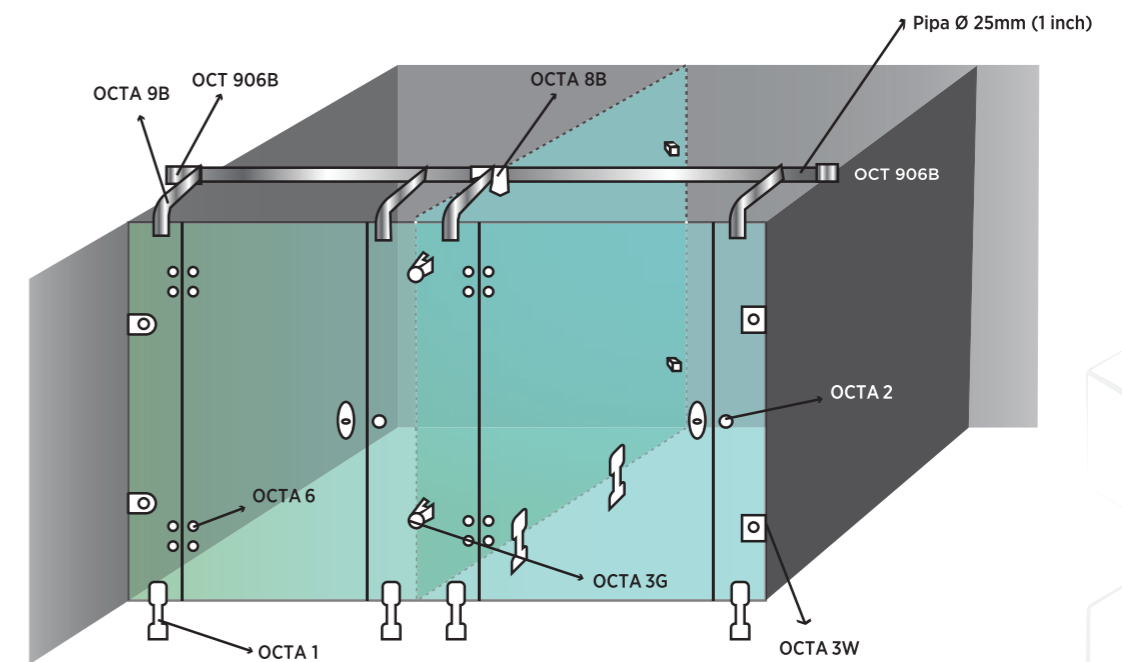


OCT 906 B



Pipa 25mm (1 inch)

Sebagai alternatif :
Bisa menggunakan penguat
pipa 19 mm (3/4 inch), dengan
acesories connector for tube





CUBICLE TOILET

PHENOLIC CUBICLE

OCK 1



OCK 2



OCK 3



OCK 6 L / R



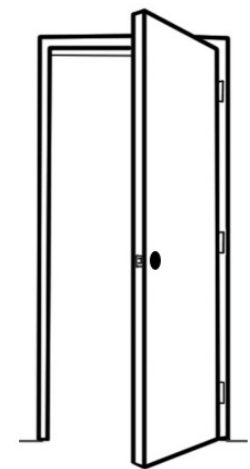
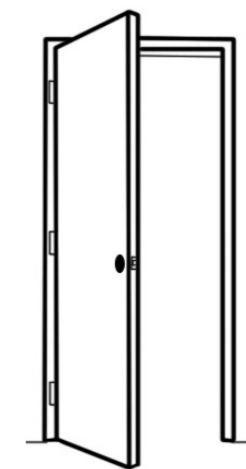
OCK 4



OCK 7



PETUNJUK POSISI ENGSEL OCK 6



Posisi kita ada di dalam toilet (area closet)

L (LEFT)

Posisi engsel ada disebelah kiri

R (RIGHT)

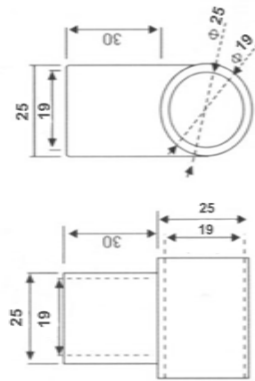
Posisi engsel ada disebelah kanan

CONNECTOR FOR TUBE

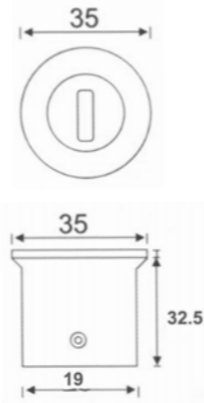
Material : Kuningan
 Permukaan : Mengkilap atau satin (hairline)
 Ketebalan Kaca : 8 - 10 mm
 Diameter Pipa : 3/4 inch (19 mm)



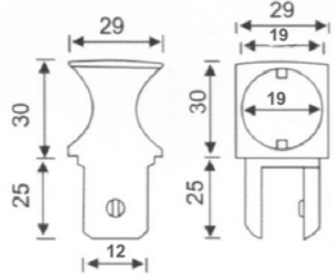
OCT 901 A
Konektor pipa ke pipa T



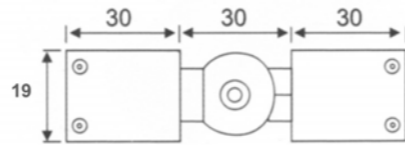
OCT 906 A
Konektor pipa ke tembok



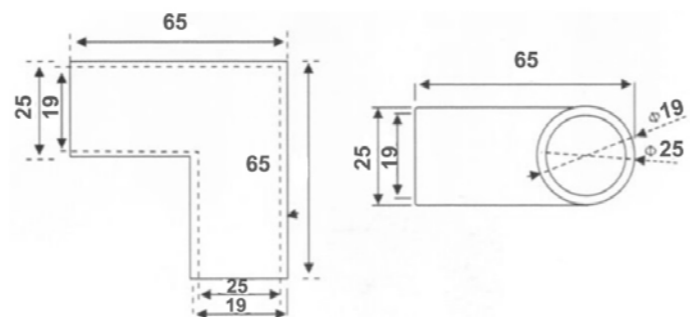
OCT 907 A
Konektor pipa ke kaca



OCT 908 A
Konektor pipa ke kaca fleksible



OCT 353
Konektor pipa ke pipa 90°

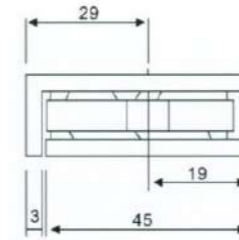


GLASS CLIP

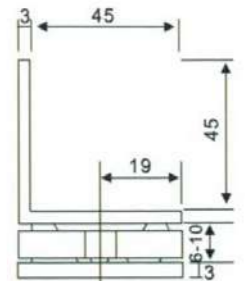
Material : Stainless Steel #304
 Permukaan : Mengkilap atau satin (hairline)
 Ketebalan Kaca : 8 - 10 mm
 Diameter Pipa : Kaca tempered



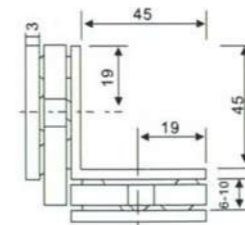
OGC 008
Glass clip U



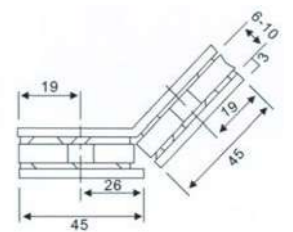
OGC 009
Glass clip ke tembok 90°



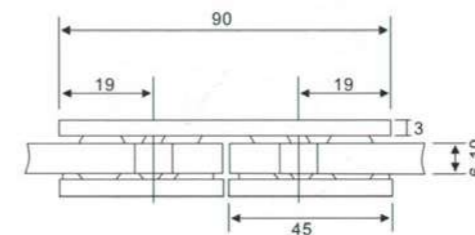
OGC 010
Glass clip kaca ke kaca 90°



OGC 012
Glass clip kaca ke kaca 135°



OGC 014
Glass clip kaca ke kaca 180°



SHOWER HINGE

STAINLESS STEEL

Material : Stainless Steel #304
 Permukaan : Mengkilap
 Fitur : Saat pintu terbuka 25°, maka pintu akan menutup secara otomatis
 Beban : 40 kg / pasang
 Digunakan Untuk : Tempered Glass
 Ketebalan Pintu : 8 - 10 mm

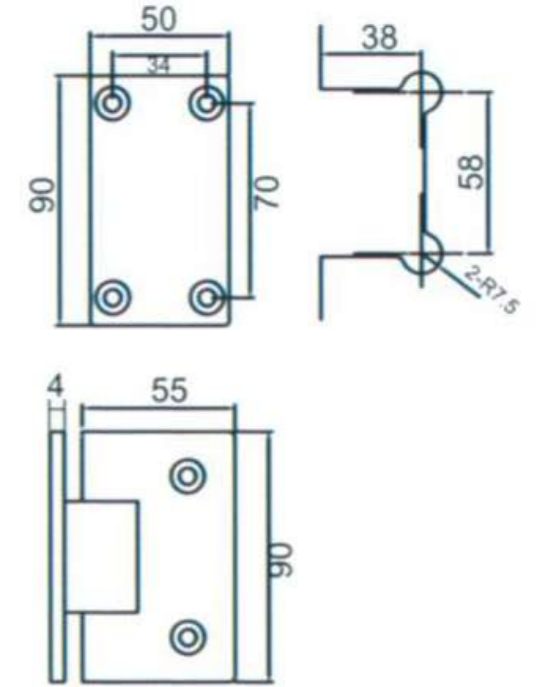


Tested by:

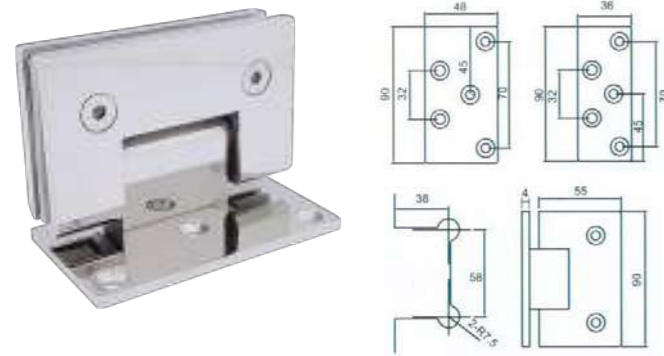


PSB Singapore

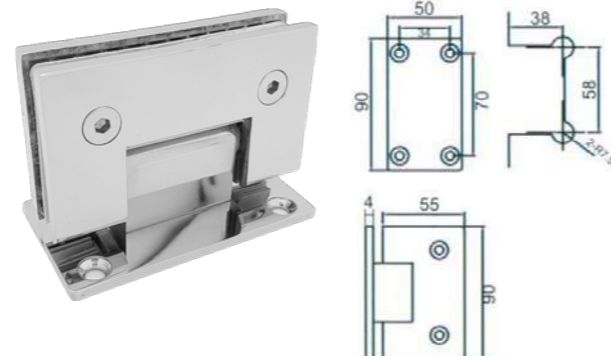
OSH 302
 Engsel kaca ke tembok



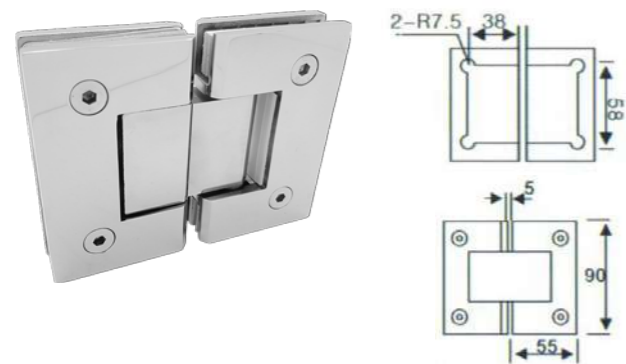
OSH 201
 Engsel kaca ke tembok (satu sisi, 90°)



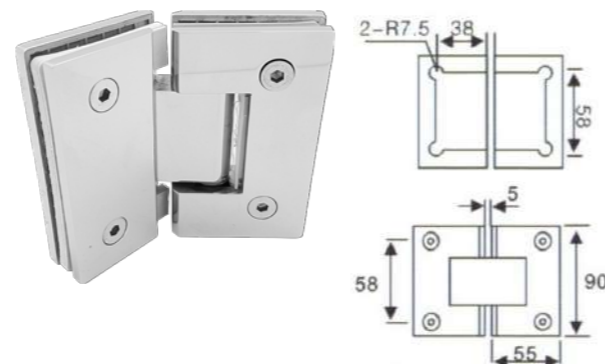
OSH 202
 Engsel kaca ke tembok (dua sisi, 180°)



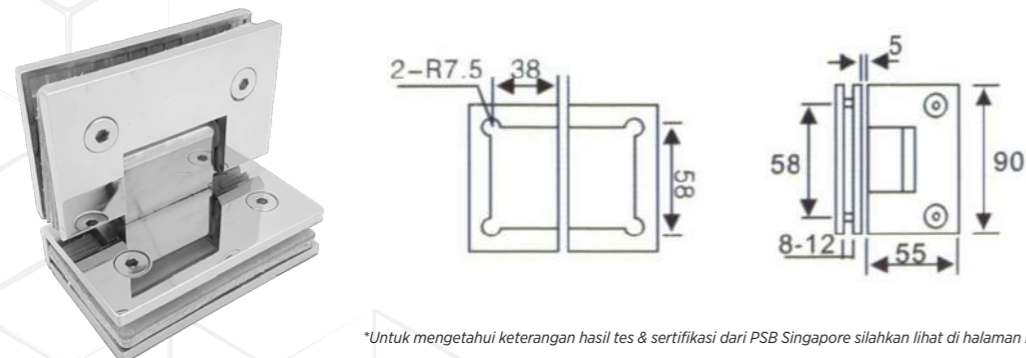
OSH 203
 Shower hinge kaca ke kaca 180° (plat tengah dua)



OSH 204
 Engsel kaca ke kaca (135°)

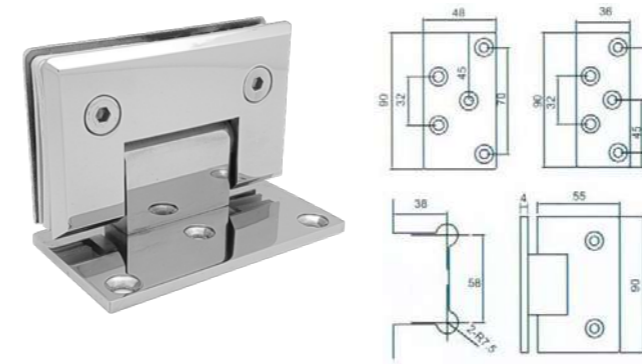


OSH 205
 Engsel kaca ke kaca (90°)

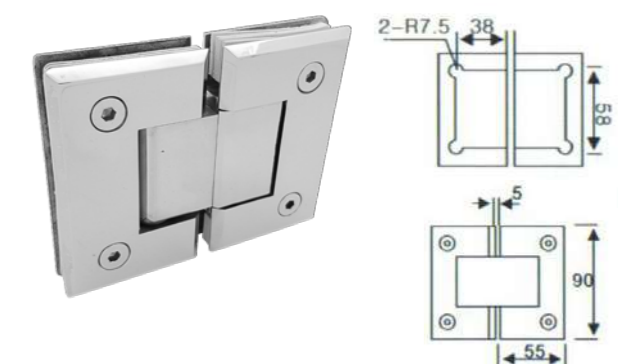


*Untuk mengetahui keterangan hasil tes & sertifikasi dari PSB Singapore silahkan lihat di halaman i

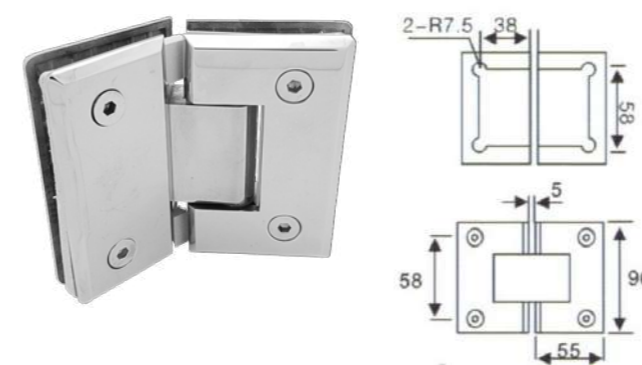
OSH 301
 Engsel kaca ke tembok (satu sisi, 90°)



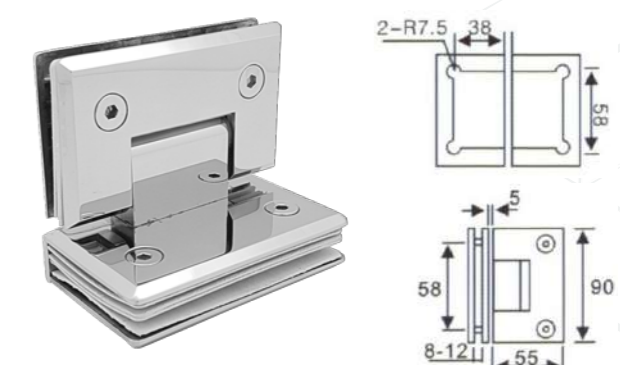
OSH 303
 Engsel kaca ke kaca (180°)



OSH 304
 Engsel kaca ke kaca (135°)



OSH 305
 Engsel kaca ke kaca (90°)



SLIDING DOOR LOCK



OSDL 134 G

Ke Tembok
OSDL A194 (Single)

Ke Kaca
OSDL A195 (Double)

Ke Tembok
OSDL 515 (Single)

Ke Kaca
OSDL 516 (Double)



SLIDING DOOR HANDLE

OSDH 134 (10mm)
Handle Pintu Sliding
Diameter Ø 46 mm



OSDH 274 (10mm)
Handle Pintu Sliding
Diameter Ø 59 mm



Material :
Stainless Steel #304

Permukaan :
Satin (Hairline)

Kaca Tempered
8 - 10 mm

KNOB HANDLE

Material :
Stainless Steel #304

Permukaan :
Mengkilap

Kaca Tempered
8 - 10 mm

OKH 138 A
Handle Knob



KOP KACA

Material :
Aluminium

Permukaan :
Mengkilap

Maksimum daya angkat saat kaca
pada posisi :
Horizontal : 150 kg
Vertikal : 135 kg

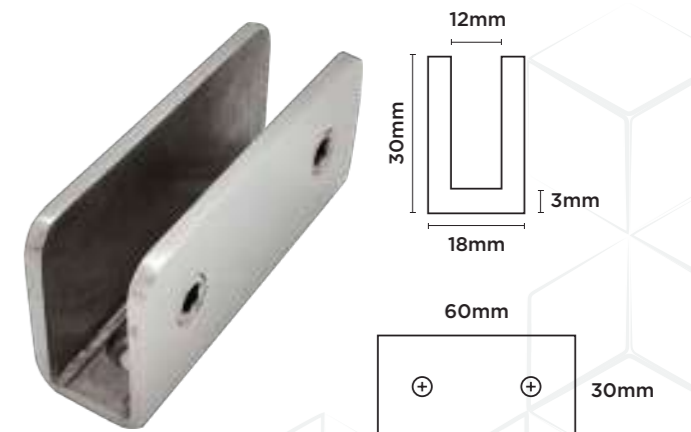
Kop Kaca 3 Mata



SPIGOT



AMBALAN



GRANDLE

Material : Stainless Steel #304
 Permukaan : Mengkilap atau Satin (Hairline)
 Digunakan Untuk : Kaca Tempered
 Ketebalan Pintu : 8 - 10 mm



Ke Tembok : **238 A (Single)**
 Ke kaca : **238 (Double)**



Ke Tembok : **A 126 (Single)**
 Ke kaca : **A 127 (Double)**



Material : Zinc Alloy (Babet)
 Permukaan : Mengkilap
 Digunakan Untuk : Kaca Tempered
 Ketebalan Pintu : 8 - 10 mm



Ke Tembok : **937 A (Single)**
 Ke Kaca : **937 B (Double)**



Ke Tembok : **A 157 S (Single)**
 Ke Kaca : **A 157 D (Double)**



PATCH FITTING

Tested by:



PSB Singapore

OPT 10



OPT 10 A



OPT 20



OPT 30



OPT 40



OPT 24



OPT 41 L



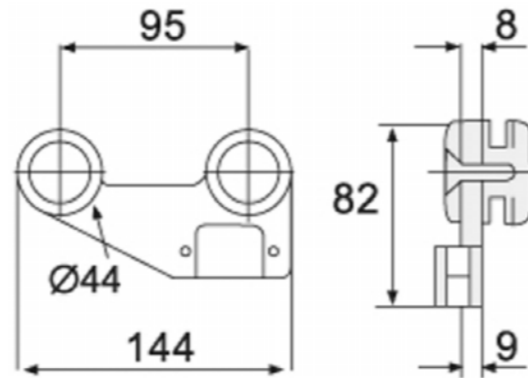
OPT 41 R



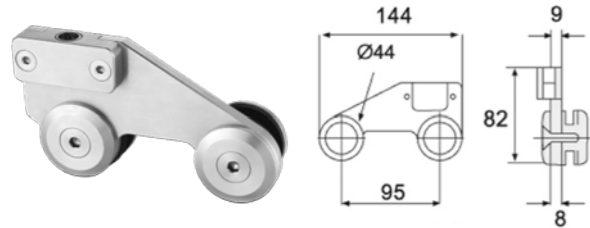
*Untuk mengetahui keterangan hasil tes & sertifikasi dari PSB Singapore silahkan lihat di halaman ii

HEAVY DUTY PATCH FITTING

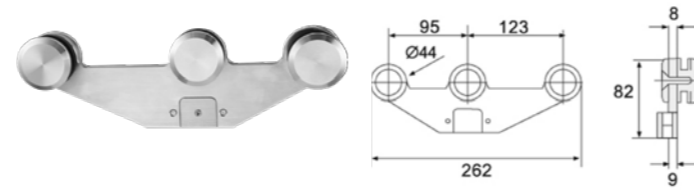
OPT 10 HD



OPT 20 HD



OPT 30 HD



DOOR HANDLE

ODH 158

Terdiri dari 3 varian :
Handle C 20 cm
Handle C 30 cm
Handle C 35 cm



ODH 159

Terdiri dari 2 varian :
Handle 50x20
Handle 45x15



ODH 160

Handle 40 cm



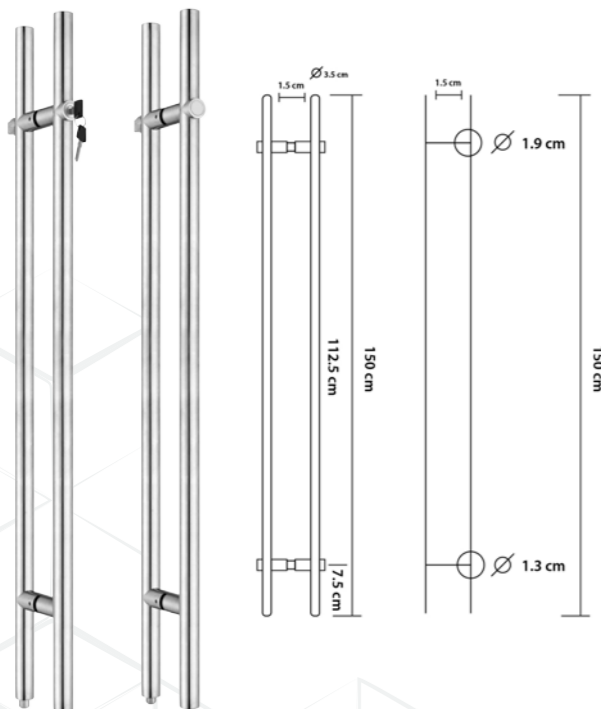
ODH 170

Terdiri dari 2 varian :
Handle 50x20
Handle 45x15

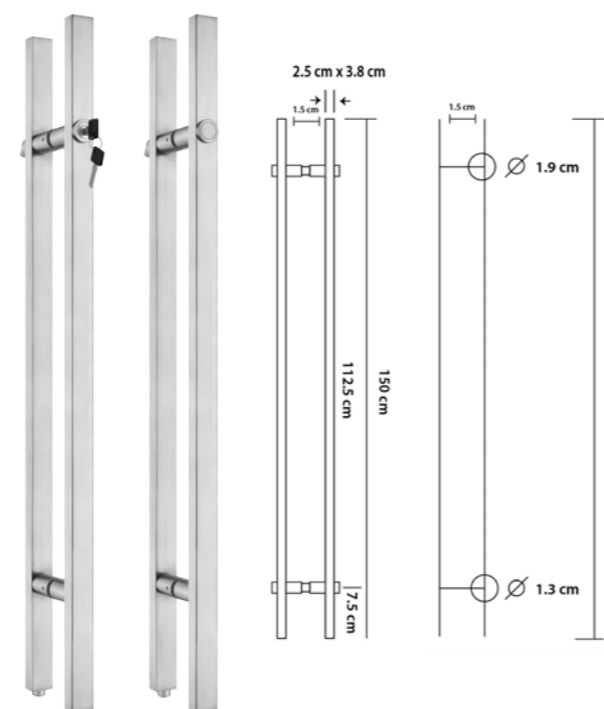


DOOR HANDLE 150 cm

Door Handle Bulat 150 cm



Door Handle Kotak 150 cm



ODH 183

Terdiri dari 2 varian :
Ke tembok
Ke kaca



Handle H

Terdiri dari 5 varian :
Handle H 120 cm (as 100 cm)
Handle H 100 cm (as 80 cm)
Handle H 80 cm (as 60 cm)
Handle H 60 cm (as 40 cm)
Handle H 50 cm (as 35 cm)



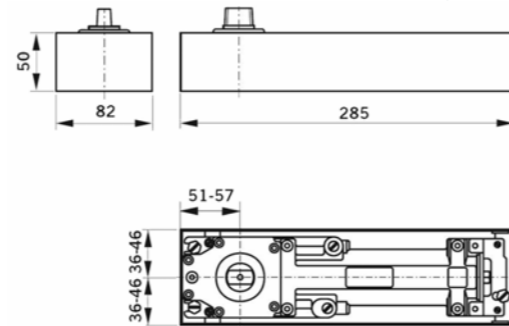
FLOOR HINGE

Tested by:

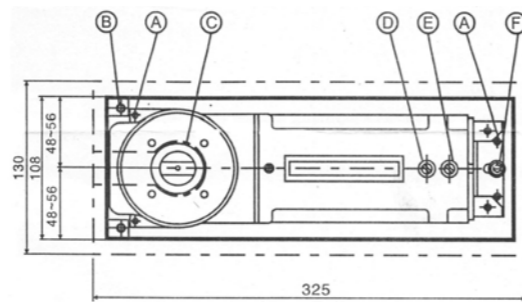


PSB Singapore

OFH 75



OFH 84



	OFH 75V	OFH 84 EN3	OFH 84 EN4
Max. Door Width	<1100 mm	850 mm	1000 mm
Max. Door Weight	120 kg	100 kg	100 kg

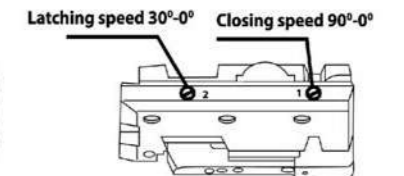
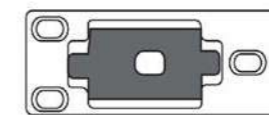
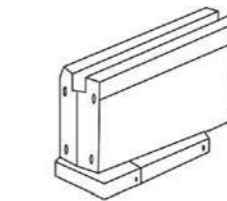
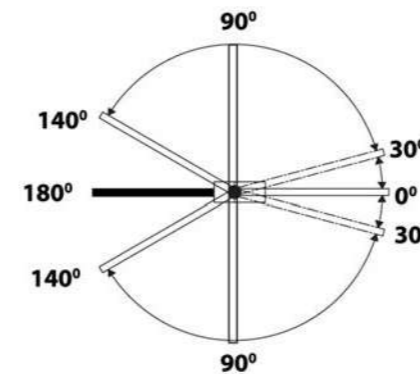
*Untuk mengetahui keterangan hasil tes & sertifikasi dari PSB Singapore silahkan lihat di halaman iii

FLOOR PIVOT



01. Hold Open Model :
Hold Open Position and
Maximum Opening Angle 90°

02. Speed Adjustment :
Latching Speed 300-00
Closing Speed 900-00



Model No.	Fungsi	Lebar Pintu	Berat Pintu	Dimensi
OFP 3071	Hold Open 90°	< 800mm	45 kg	73 x 52 x 95

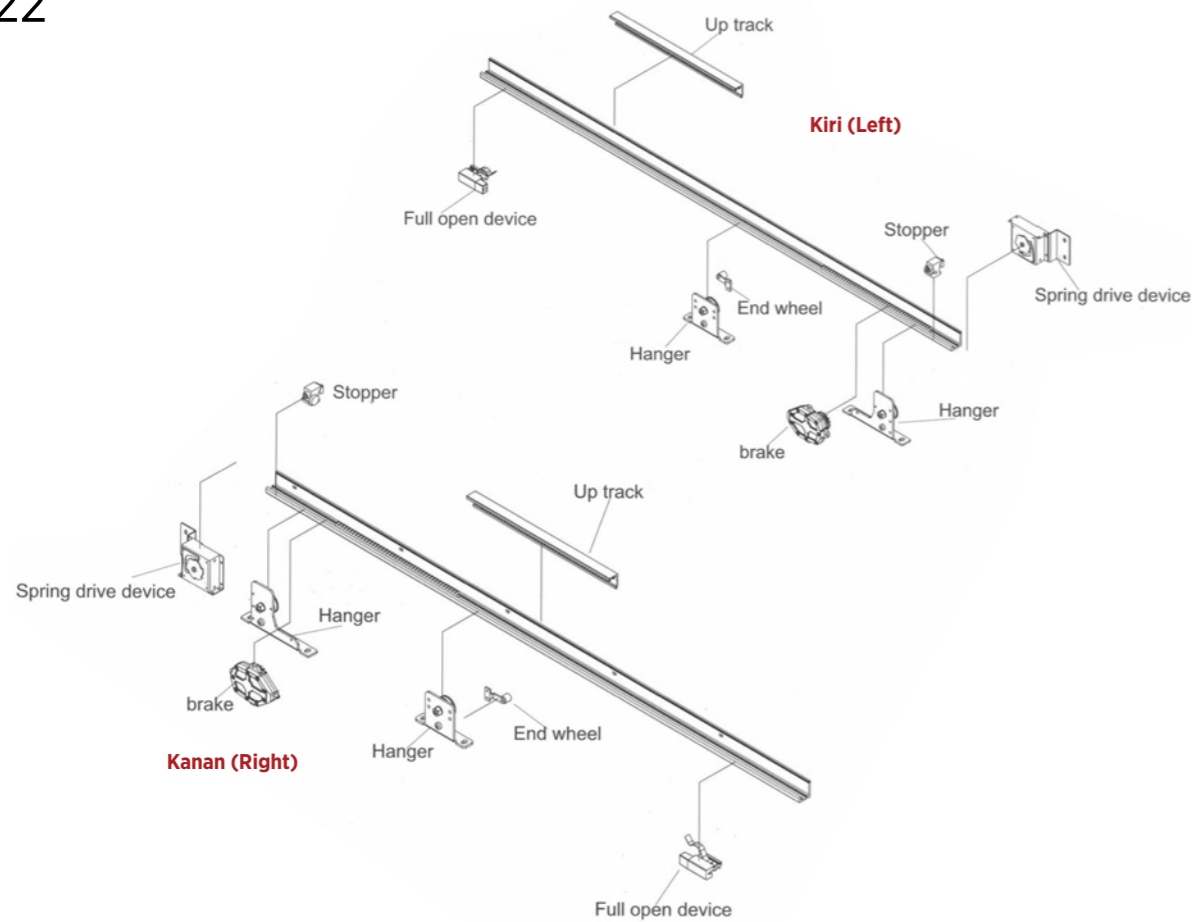
ADVERTISING SCREW

Material : Stainless Steel #304
Permukaan : Brushed (Satin)
Ukuran : 25 mm, 30 mm, 40 mm, 50 mm
Diameter Pipa : Ø 19 mm, Ø 25 mm



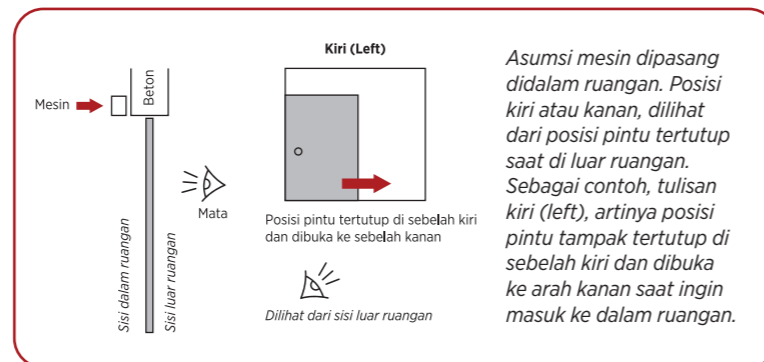
SEMI AUTOMATIC DOOR

022



Semi-automatic door (Single Open) components list

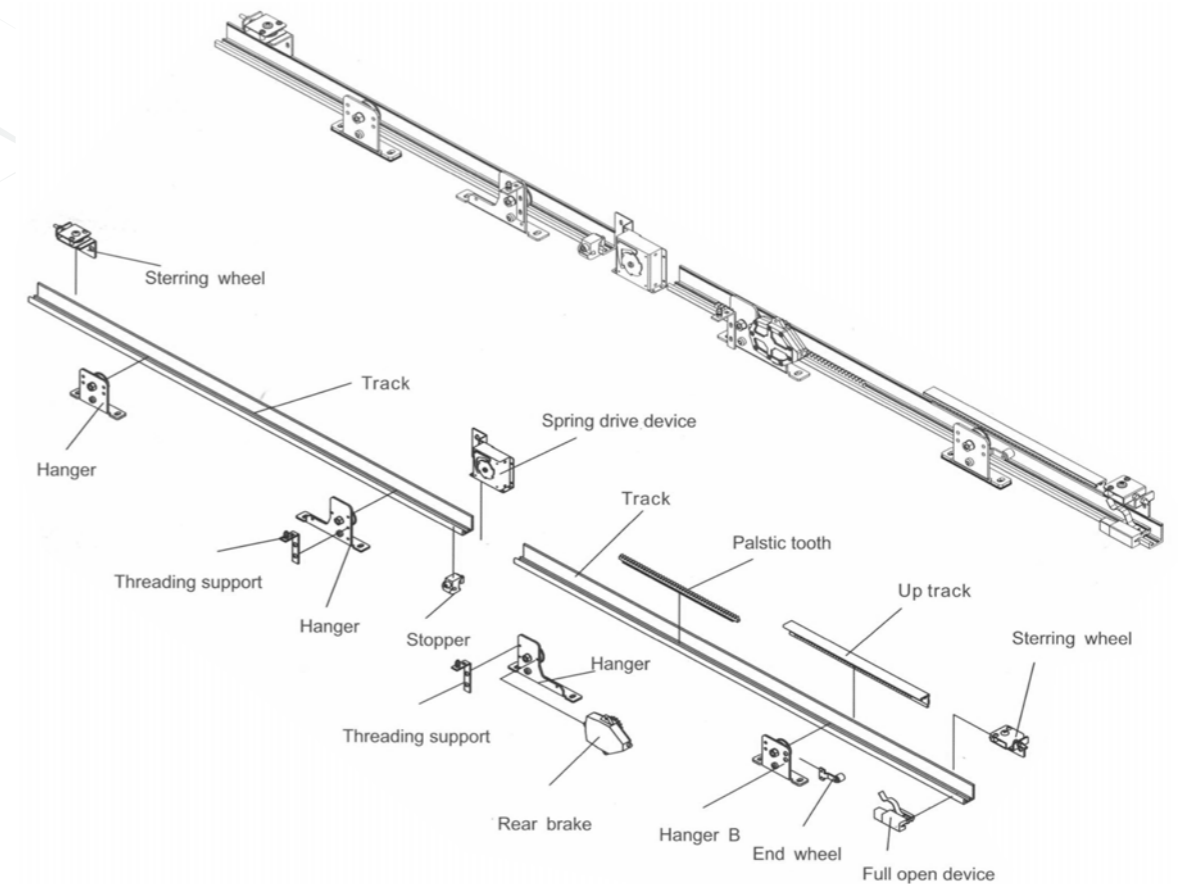
Description	Quantity	Nuts and Bolts
2.1 meter track	1 pcs	
Plastic tooth belt	1 pcs	
Track of plastic tooth	1 pcs	
Sterring wheel	-	
Hanger A	1 pcs	2 pcs hex screw
Hanger B	1 pcs	2 pcs hex screw
Hanger shim	4 pcs	
Spring drive device	1 pcs	
Stopper	1 pcs	
Door guide	1 pcs	M 5 tapping screw
Threading support	-	
Rear brake	1 pcs	2 pcs M 5 * 19 cross screw suit
Rope	1 pcs	
Full open device	1 pcs	1 pcs M 5 cross screw
End wheel	1 pcs	
		8 pcs M 8 * 22 cross screw suit



- Door weight : 10-80 kgs/leaf
- Door width : 700-1200 mm
- Closing drive system : Spiral spring type
- Controlling system : Fluid friction resistance type
- Durability : More than 1 million open/close operations
- Spring thickness : 0.265 mm
- Rail length : 2200 mm
- Always open function : Yes

SEMI AUTOMATIC DOOR

044 B



Semi-automatic door (Double Open) components list

Description	Quantity	Nuts and Bolts
2.1 meter track	2 pcs	
Plastic tooth belt	2 pcs	
Track of plastic tooth	1 pcs	
Sterring wheel	2 pcs	
Hanger A	2 pcs	4 pcs hex screw
Hanger B	2 pcs	4 pcs hex screw
Hanger shim	8 pcs	
Spring drive device	1 pcs	
Stopper	1 pcs	
Door guide	2 pcs	M 5 tapping screw
Threading support	2 pcs	2 pcs M 5 cross screw
Rear brake	1 pcs	2 pcs M 5 * 19 cross screw suit
Rope	2 pcs	
Full open device	1 pcs	1 pcs M 5 cross screw
End wheel	1 pcs	
		8 pcs M 8 * 22 cross screw suit



- Door weight : 20-80 kgs/leaf
- Door width : 700-1200 mm
- Closing drive system : Spiral spring type
- Controlling system : Fluid friction resistance type
- Durability : More than 1 million open/close operations
- Spring thickness : 0.385 mm
- Rail length : 4400 mm
- Always open function : Yes

HEAVY DUTY AUTOMATIC SLIDING DOOR



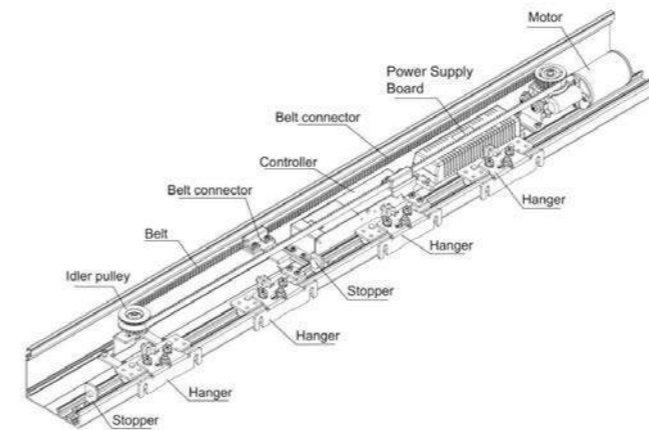
OASD HH200
Heavy Duty Automatic Sliding Door

Max door weight (single)	1 * 200 kgs
Max door weight (double)	2 * 180 kgs
Door leaf width	700 - 1500 mm
Opening speed	100 - 500 mm/s (Adjustable)
Closing speed	100 - 500 mm/s (Adjustable)
Motor details	24V 100W 2300 rpm
Holding time	0 - 60s (Adjustable)
Voltage	AC90V-250V 50-60Hz
Operating temperature	-10° - 70C°

AUTOMATIC SLIDING DOOR



OASD V50
Automatic Sliding Door



Max door weight (single)	1 * 160 kgs
Max door weight (double)	2 * 150 kgs
Door leaf width	400 - 2000 mm
Opening speed	100 - 500 mm/s (Adjustable)
Closing speed	100 - 500 mm/s (Adjustable)
Motor details	34V 55W 2300 rpm
Holding time	0 - 20s (Adjustable)
Voltage	AC100V-220V 50-60Hz
Operating temperature	-100° - 70C°



LED Controller



Motor



Power Switch



Microwave Sensor



Belt



Belt Connector



Stopper



Idle Pulley



Four Keys Remote



Hanger



Safety Beam (Photocell)



Controller



Motor



Four Keys Remote



Microwave Sensor



Safety Beam (Photocell)



Power Switch



Power Supply Board



Belt



Stopper



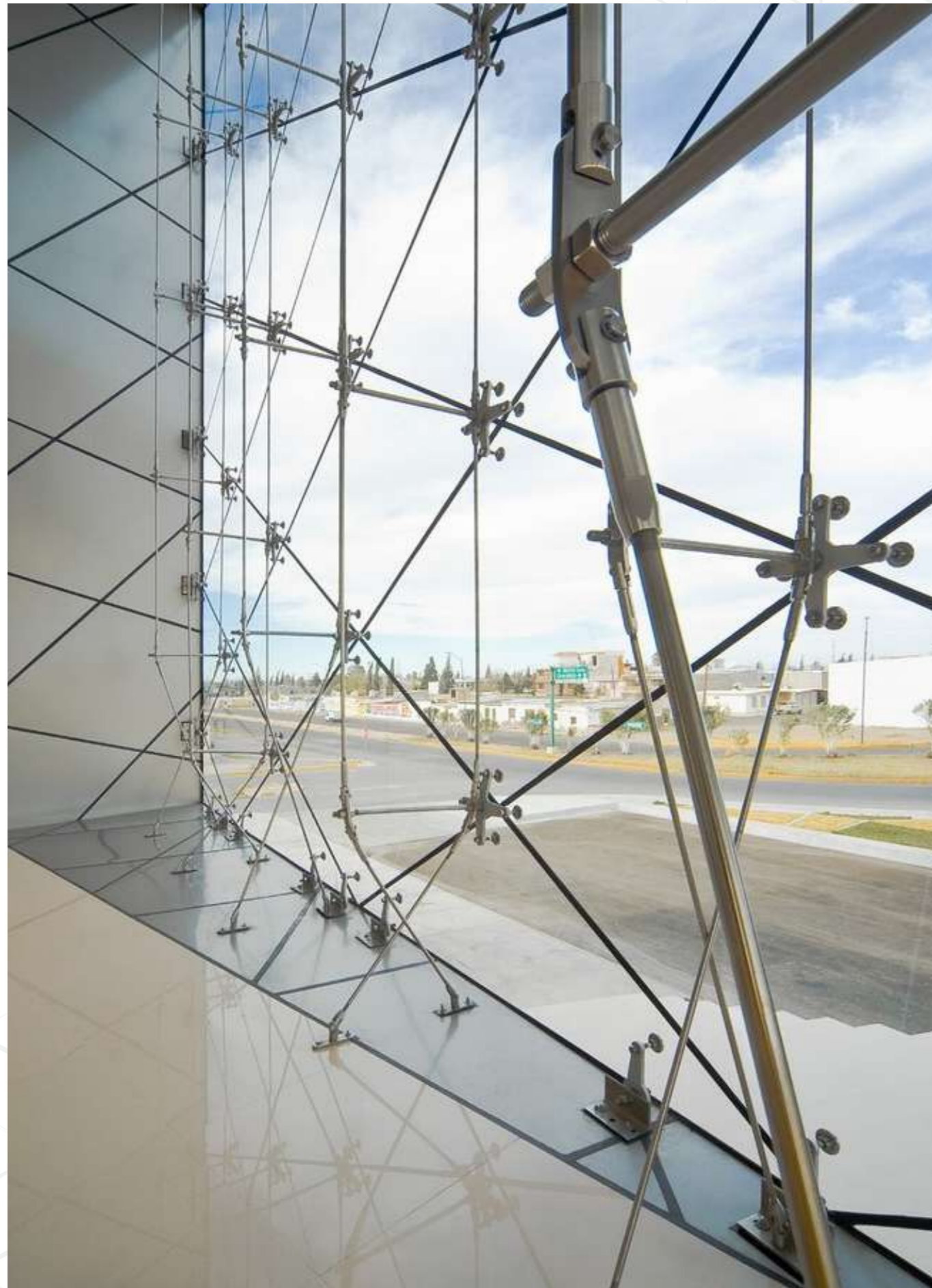
Idle Pulley



Belt Connector



Hanger



SPIDER FITTING

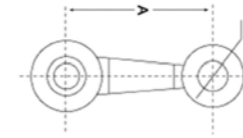
STAINLESS STEEL

Tested by:



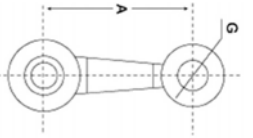
PSB Singapore

OSF 2201 (11 cm)
Spider kaki 1 (11 cm)



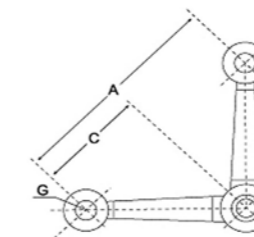
	A	G
Spec.	110	Ø25

OSF 2201 (16cm)
Spider kaki 1 (16 cm)



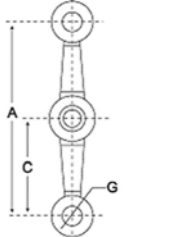
	A	G
Spec.	160	Ø25

OSF 2202
Spider kaki 2 (90°)



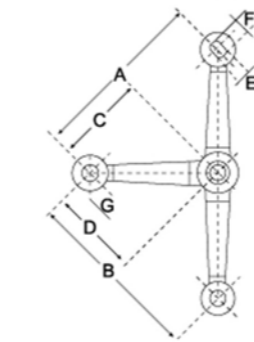
	A	C	G
Spec.	220	110	Ø25

OSF 2202
Spider kaki 2 (180°)



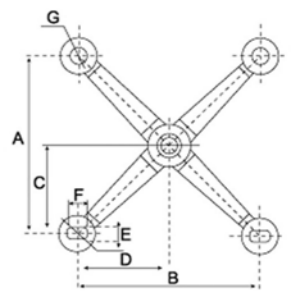
	A	C	G
Spec.	220	110	Ø25

OSF 2203
Spider kaki 3



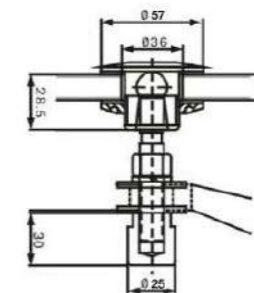
	A	B	C	D	E	F	G
Spec.	220	220	110	110	17	27	2-Ø25

OSF 2204
Spider kaki 4

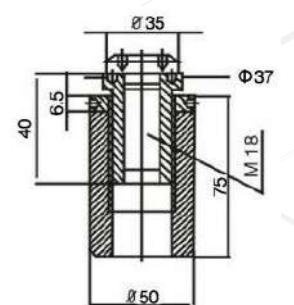


	A	B	C	D	E	F	G
Spec.	220	220	110	110	17	27	2-Ø25

SFA 001

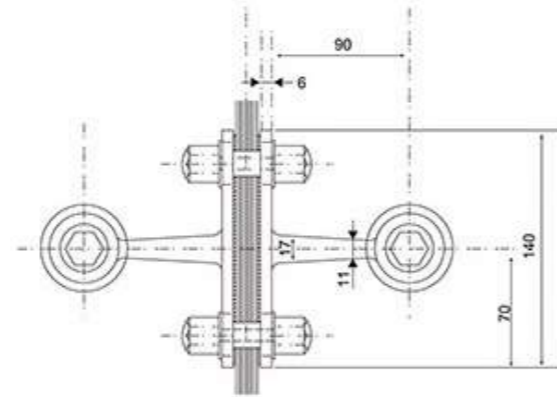


SFA 005

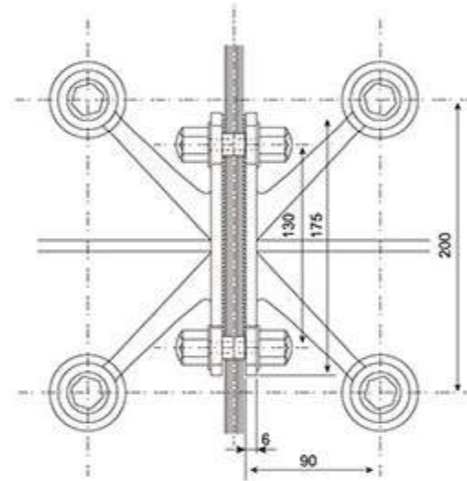


*Untuk mengetahui keterangan hasil tes & sertifikasi dari PSB Singapore silahkan lihat di halaman iv

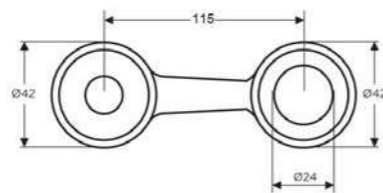
OSF 2002 T



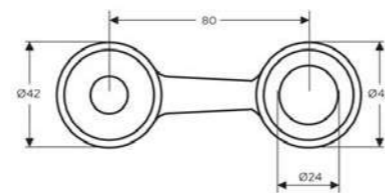
OSF 2004 K



OSF 1601 (Long & Short)



Spesifikasi OSF 1601 Long



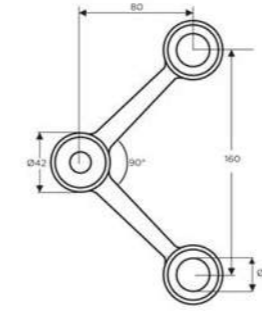
Spesifikasi OSF 1601 Short

Tested by:

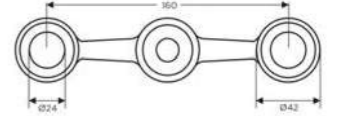


PSB Singapore

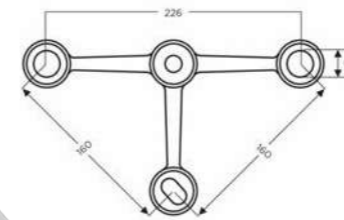
OSF 1602 (90°)



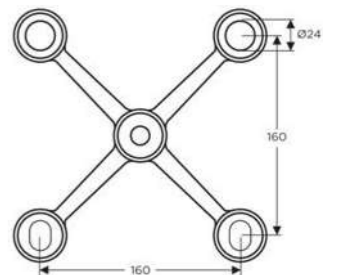
OSF 1602 (180°)



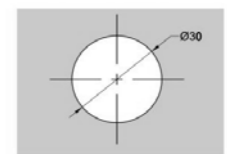
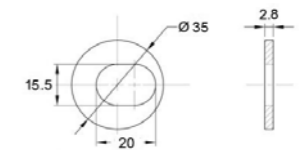
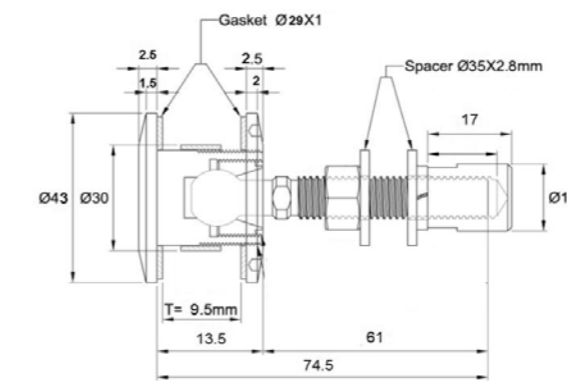
OSF 1603



OSF 1604

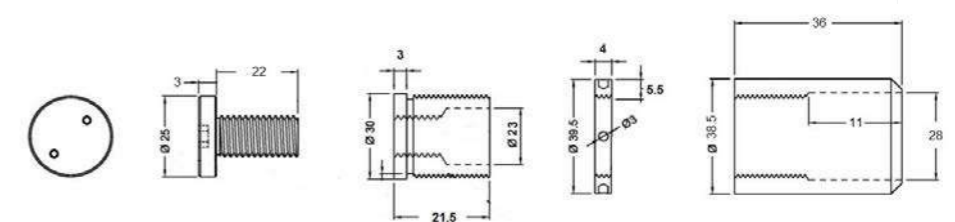


SFA 001 #16 cm



Glass Preparation
- User's discretion Required

SFA 005 #16 cm





FOLDING DOOR

OFD 8100-1 L/R



OFD 8100-2



OFD 8100-3



OFD 8100-4 L/R



OFD 8100-5 L/R



OFD 8100-6



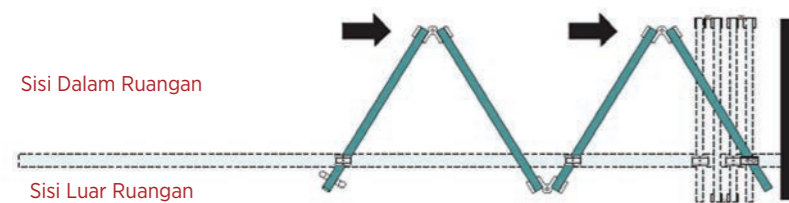
OFD 8100-7



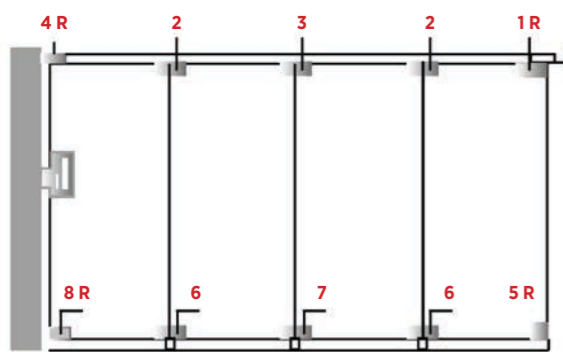
OFD 8100-8 L/R



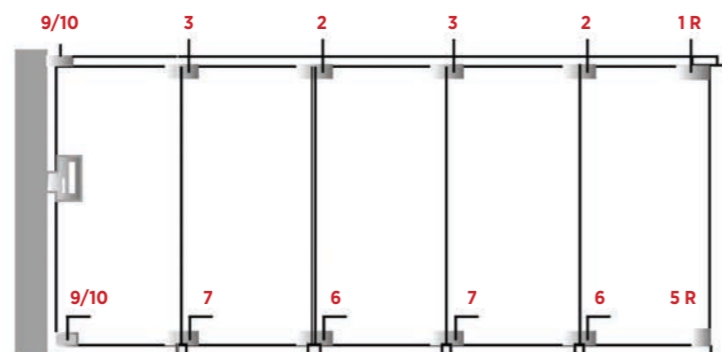
OFD 8100-9 R



Max door leaf height : 2500 mm
 Max door leaf width : 700 mm
 Max door leaf load : 45 kg
 Tempered glass : 10mm



Aksesoris yang digunakan jika daun pintu berjumlah genap



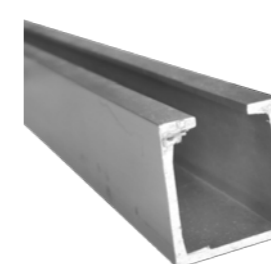
Aksesoris yang digunakan jika daun pintu berjumlah ganjil

Tampak Dari Luar Ruangan

OFD 8100-10 L



Upper Track



Lower Track





HEAVY DUTY FOLDING DOOR

OFD 7100-1



OFD 7100-2



OFD 7100-3 HD



OFD 7100-3



OFD 7100-4 HD



OFD 7100-4



OFD 7100-5



OFD 7100-6



OFD 7100-7



OFD 7100-8



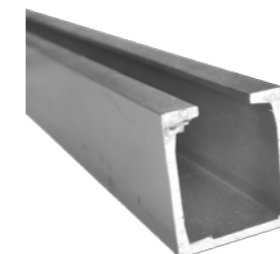
OFD 7100-9



Lower Track



Upper Track Regular

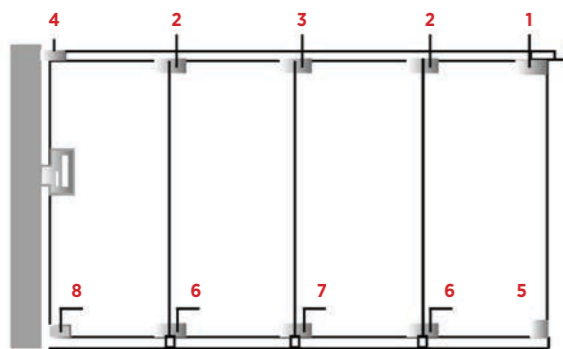
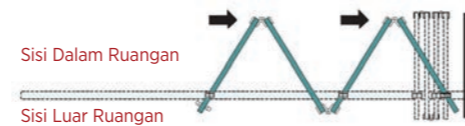


Upper Track HD

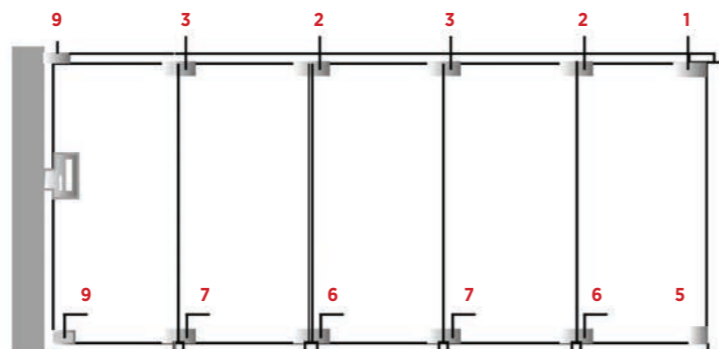


Reguler
 Max door leaf height : 2700 mm
 Max door leaf width : 700 mm
 Max door leaf load : 47 kg
 Tempered glass : 10mm

Heavy Duty
 Max door leaf height : 3000 mm
 Max door leaf width : 700 mm
 Max door leaf load : 63 kg
 Tempered glass : 12mm



Aksesoris yang digunakan jika daun pintu berjumlah genap



Aksesoris yang digunakan jika daun pintu berjumlah ganjil

Tampak Dari Luar Ruangan



CANOPY

OC 820



OC 821



OC 822

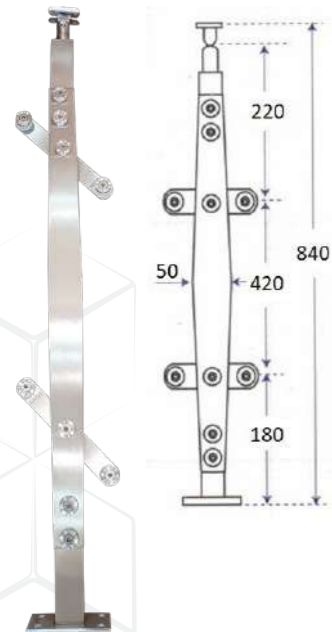


Stringer OC 823

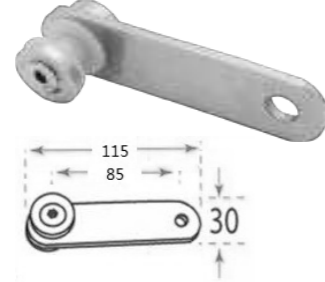


BALUSTRADE

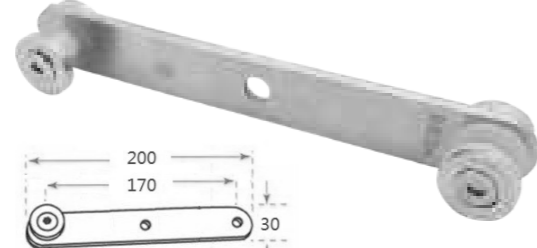
OBL 506



OBL 507



OBL 508



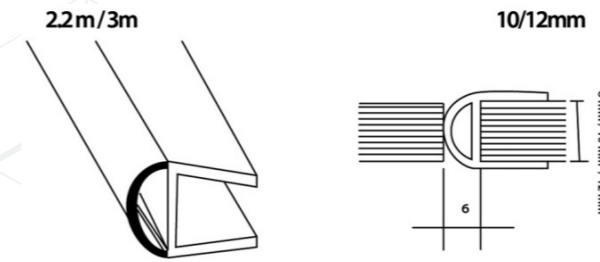
OBL 509



WATERSEAL

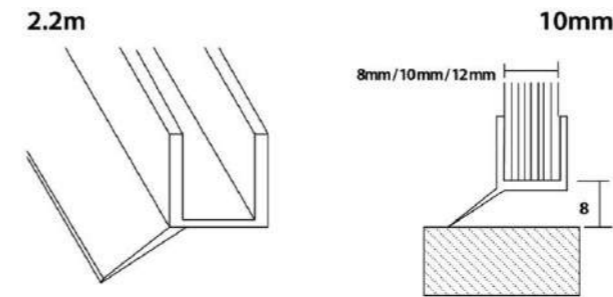
B 700

Waterseal 2.2 m (8, 10, 12 mm) ; 3m (12mm)



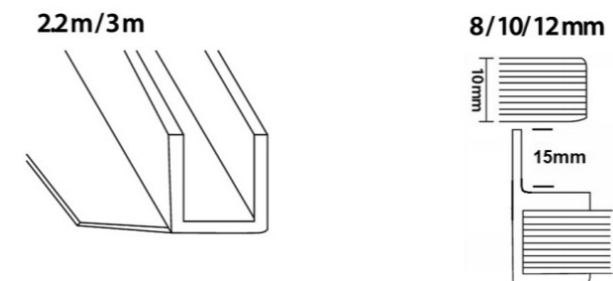
B 702

Waterseal 2.2 m (10 mm)



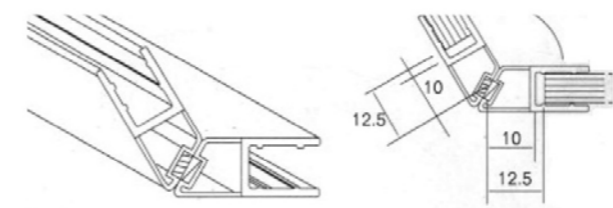
B 704

Waterseal 2.2 m (8, 10 mm) ; 3m (12mm)



B 711

Waterseal Magnet 135° / 2.2 m (10 mm)



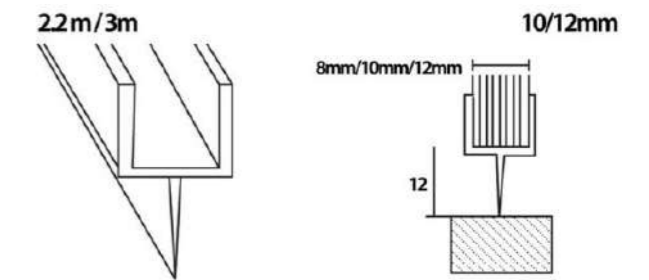
B 560

Mohair : 12 mm (2.2 m dan 3 m)



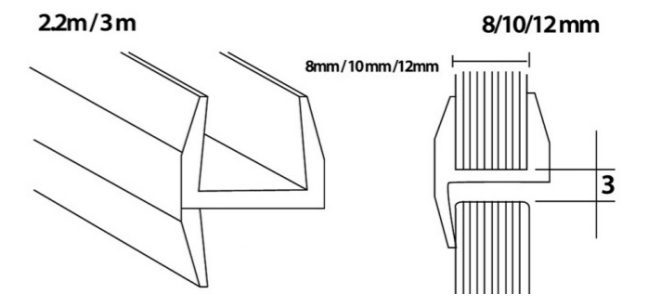
B 701

Waterseal 2.2 m (8, 10 mm) ; 3m (12mm)



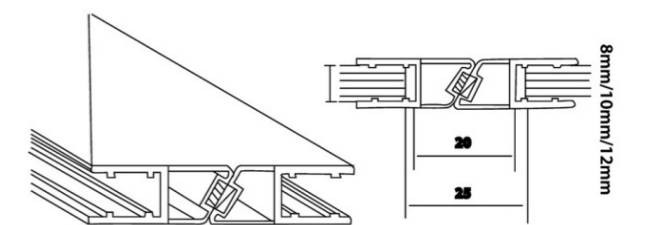
B 703

Waterseal 2.2 m (8, 10, 12 mm) ; 3m (12mm)



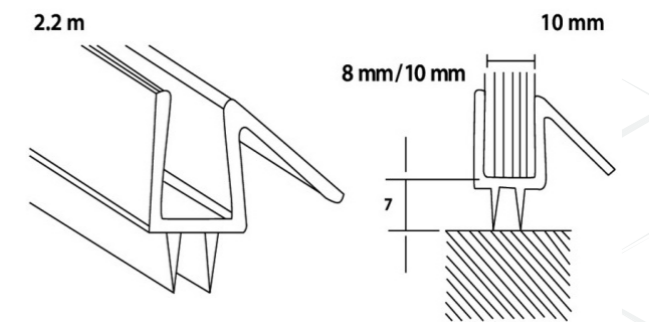
B 710

Waterseal Magnet 90° / 180° : 2.2 m



B 723

Waterseal 2.2 m (10 mm)



NON AUTOMATIC SLIDING DOOR



OSD 049



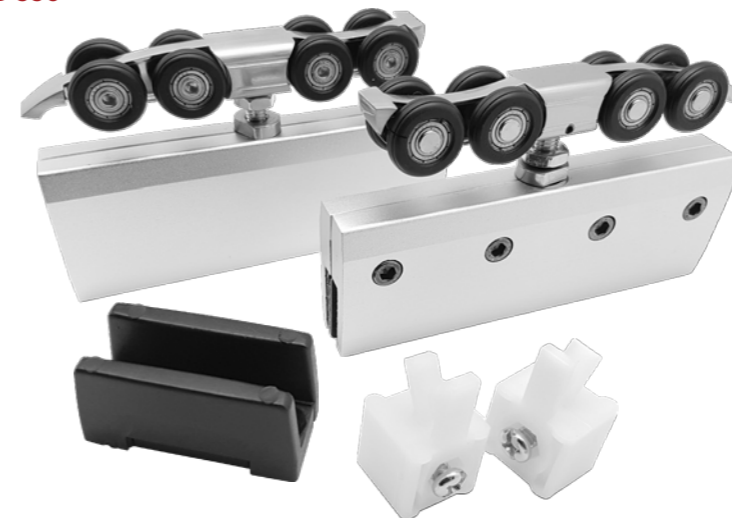
Untuk kaca tempered 10-12 mm dengan beban maximum 80 kg / daun pintu

Dijual Terpisah



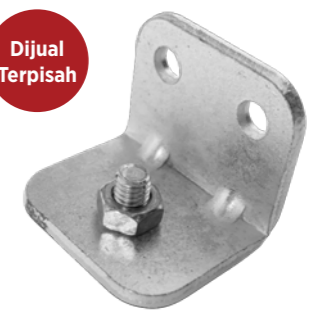
Rel 049 / 330

OSD 330



Untuk kaca tempered 10-12 mm dengan beban maximum 80 kg / daun pintu

Dijual Terpisah



Bracket 049 / 330

OSD 408



Untuk kaca tempered 10-12 mm dengan beban maximum 150 kg / daun pintu

Dijual Terpisah



Rel 408

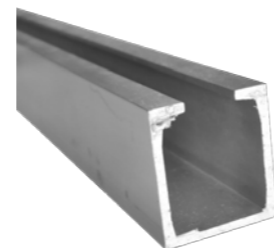
L 310 B



Untuk pintu aluminium / kayu

Dijual Terpisah

Rel L310B





Kaca Tempered : 10 - 12 mm
 Beban Max. per Daun Pintu : 140 kg

SLIDING DOOR SINGLE SCREEN OSD 054 (SET)

OSA 054-1
 Roda 054
 2 buah



OSA 054-2*
 Bracket pipa ke kaca
 4 buah



OSA 054-3*
 Bracket pipa ke tembok
 4 buah



**Hanya salah satu saja bracket yang dipilih (ke tembok / ke kaca)*

OSA 054-4
 Door stopper
 2 buah



OSA 054-5
 Floor guide
 1 buah

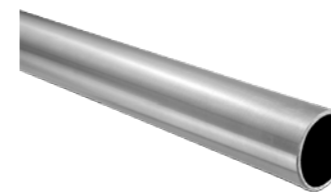


OSA 054-6
 Tutup ujung pipa
 2 buah



PRODUK YANG TIDAK TERMASUK DALAM SATU SET PAKET (DIJUAL TERPISAH)

Round Pipe
 Diameter Ø 25 mm (1 inch)
 Ketebalan pipa : 2 mm



OSDH 274



OCT 906 B
 Diameter Ø 25 mm





Kaca Tempered : 10 - 12 mm
 Beban Max. per Daun Pintu : 80 kg

SLIDING DOOR SINGLE SCREEN OSD 066 (SET)

OSA 066-1
 Roda 066
 2 buah



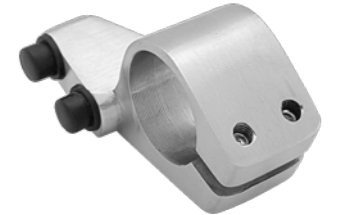
OSA 066-2*
 Bracket pipa ke kaca
 4 buah



OSA 066-3*
 Bracket pipa ke tembok
 4 buah

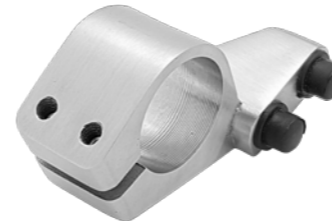


OSA 066-4
 Stopper 066 - Kiri
 1 buah



**Hanya salah satu saja bracket yang dipilih (ke tembok / ke kaca)*

OSA 066-5
 Stopper 066 - Kanan
 1 buah



OSA 066-6
 Tutup ujung pipa
 2 buah

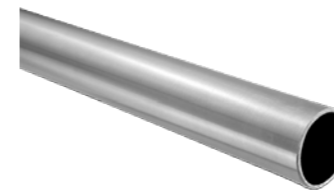


OSA 066-7
 Floor guide
 1 buah



PRODUK YANG TIDAK TERMASUK DALAM SATU SET PAKET (DIJUAL TERPISAH)

Round Pipe
 Diameter Ø 25 mm (1 inch)
 Ketebalan pipa : 2 mm



OSDH 274



OCT 906 B
 Diameter Ø 25 mm





Kaca Tempered : 8 mm
 Beban Max. per Daun Pintu : 40 kg
 Max. Lebar Keseluruhan (per sisi) : 1800 mm (total lebar pintu & kaca mati)

Lebar Max. Pintu : 750 mm
 Tinggi Max. Pintu : 2100 mm

SLIDING DOOR SINGLE SCREEN OSD 078 (SET)

OSA 078-1
Roda 078
2 buah



OSA 078-2
Kancing 078
2 buah



OSA 078-3
Roda kecil 078
2 buah



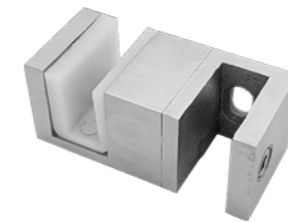
OSA 078-4
Bracket hollow ke tembok
2 buah



OSA 078-5
Door stoper 078
2 buah



OSA 069
Floor guide flexible
1 buah



OSDH 274
Handle tanam Ø 59 mm
1 buah



PRODUK YANG TIDAK TERMASUK DALAM SATU SET PAKET (DIJUAL TERPISAH)

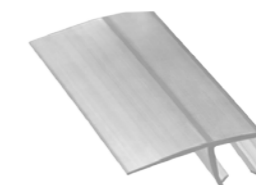
Hollow Pipe
3 x 1 cm



Magnetic Seal 8mm
1 set / pasang



Waterseal B704



Round Tube





Kaca Tempered : 8 mm
 Beban Max. per Daun Pintu : 25 kg
 Max. Lebar Keseluruhan (per sisi) : 1200 mm (total lebar pintu & kaca mati)

Lebar Max. Pintu : 500 mm
 Tinggi Max. Pintu : 2100 mm

SLIDING DOOR CORNER SCREEN OSD 078 (SET)

OSA 078-1
 Roda 078
 4 buah



OSA 078-2
 Kancing 078
 4 buah



OSA 078-3
 Roda kecil 078
 4 buah



OSA 078-4
 Bracket hollow ke tembok
 2 buah



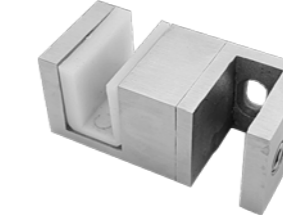
OSA 078-5
 Door stopper 078
 4 buah



OSA 078-6
 Hook sudut hollow
 1 buah



OSA 069
 Floor guide flexible
 2 buah



OSDH 134
 Handle tanam Ø 46 mm
 2 buah

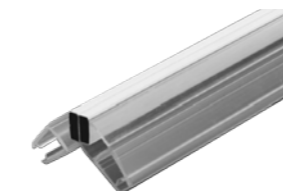


PRODUK YANG TIDAK TERMASUK DALAM SATU SET PAKET (DIJUAL TERPISAH)

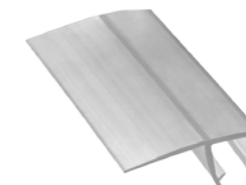
Hollow Pipe
 3 x 1 cm



Magnetic Seal 8mm
 1 set / pasang



Waterseal B704



Round Tube

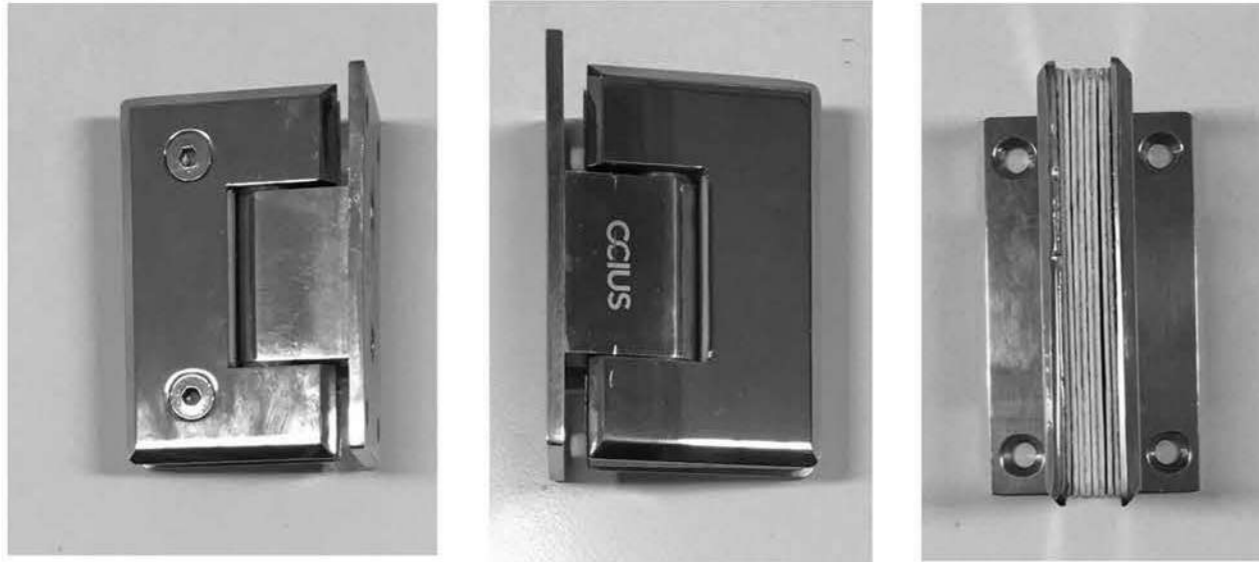




PSB Singapore

SHOWER HINGE

Test Report No. 7191147996-MEC16/02-MHA
dated 20 Oct 2016



Measurement after 60,000 cycles:

S/N	Description	Measurements	Requirements
1	Vertical (distance between datum point and a point on door frame)	150.2mm (Increased by 0.2mm)	-
2	Lateral (distance between datum point and a point on door frame)	150.0mm (no change)	-
2	Limits of allowable wear	Comply (Values are within shaded area of figure G.2.)	Shall comply with requirement of cl. 5.4j of EN 1935
3	Torque require to initiate movement of door at following opening angles: (average of 3 readings)		
	(i) 0°± 5°	1.7 Nm	2.0 Nm(max)
	(ii) 30°± 5°	1.6 Nm	2.0 Nm(max)
	(iii) 60°± 5°	1.8 Nm	2.0 Nm(max)
	(iv) 90°± 5°	1.6 Nm	2.0 Nm(max)

CONCLUSION:

Adopting to BS EN 1935 : 2002, clause 7.5, Building hardware – Single-axis hinges, the results obtained show that the hinge tested **meet with the durability test requirements.**



Laboratory:
TUV SUD PSB Pte. Ltd.
No.1 Science Park Drive
Singapore 118221

Phone : +65-6885 1333
Fax : +65-6776 8670
E-mail: testing@tuv-sud-psb.sg
www.tuv-sud-psb.sg
Co. Reg : 199002667R

Regional Head Office:
TUV SUD Asia Pacific Pte. Ltd.
1 Science Park Drive, #02-01
Singapore 118221
TUV®



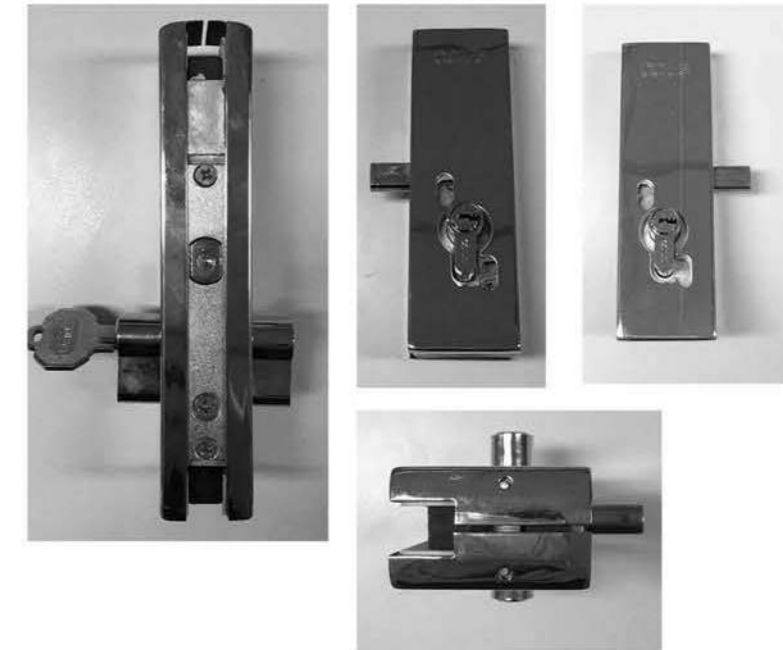
PSB Singapore

PATCH FITTING

Test Report No. 7191152727-MEC16-MHA
dated 15 Dec 2016
(2191053195)

SUBJECT:

Indicative durability test on 'Ocius' OPT 10A stainless steel 304 patch lock submitted by Ocius Hardware.



Descriptions	Sample		Requirements
	A	H	
Durability test on deadbolt	50,000 cycles	50,000 cycles	-
Torque to operate deadbolt after durability test	0.3 Nm	0.3 Nm	Torque shall not exceed: <input type="checkbox"/> M3 via keyhole : 1.5Nm <input type="checkbox"/> M4 via follower : 3Nm
Results (comply/non-compliance): Compy			

CONCLUSION:

Adopting to EN 12209 : 2003, clause 5.3.2, Building hardware – Locks and latches, the results obtained show that the locks tested **meet with the durability of deadbolt mechanism requirements.**



Laboratory:
TUV SUD PSB Pte. Ltd.
No.1 Science Park Drive
Singapore 118221

Phone : +65-6885 1333
Fax : +65-6776 8670
E-mail: testing@tuv-sud-psb.sg
www.tuv-sud-psb.sg
Co. Reg : 199002667R

Regional Head Office:
TUV SUD Asia Pacific Pte. Ltd.
1 Science Park Drive, #02-01
Singapore 118221
TUV®



PSB Singapore

FLOOR HINGE

Test Report No. 7191147996-MEC16/01-MHA
dated 20 Feb 2017
(2191049303)

SUBJECT:

Cyclic movement endurance test on 'Ocius' OFH 84 EN3 floor spring submitted by Ocius Hardware.

Measurement after 500,000 test cycles

Description	Measurements		Requirements (Size 3)
	Right	Left	
Time taken to close from 90° to fully closed position	4.4 <small>(original value : 4.3sec)</small>	4.3 <small>(original value : 4.3sec)</small>	Shall be less than 2 times or more than 0.7 times the original value. <small>(i.e Right: Between 3.0 and 8.6 sec) (i.e Left: Between 3.0 and 8.6 sec)</small>
Between 0° to 4°	Closing moment	22.6	18 to < 26 Nm
	Opening moment	29.7	-
Between 88° to 92°	Closing moment	13.1	6 Nm minimum
	Opening moment	28.3	-
Min. closing torque at max. opening angle permitted by the closer	Closing moment	17.6	4 Nm minimum
Between 0° to 60°	Opening moment	30.1	47 Nm maximum
Between 0° to 4°	Efficiency	76.1	55% minimum
Closing time from 90°			
Adjustability		2.3	3 sec. or less
		>20	20 sec. or more
Closing overload test	Yes		Able to withstand
Free play at the zero position	1mm	1mm	6mm maximum



Photo : Floor Hinge OFH 84

Observations throughout test

Description	Measurements	Requirements (Size 3)
Fluid leakage	No leakage	No fluid leakage from door closer.
Damage	No damage	No damage to door closer or its arms that would adversely affect its performance.

CONCLUSION :

According to SS 332: 2007: Annex F:- Clause 5.1 - For mechanical performance and durability, the test results obtained showed that the sample tested meet the requirements and is classified as:.

3 8 3 0 1 0



Laboratory:
TUV SUD PSB Pte. Ltd.
No.1 Science Park Drive
Singapore 118221



Phone : +65-6885 1333
Fax : +65-6776 8670
E-mail: testing@tuv-sud-psb.sg
www.tuv-sud-psb.sg
Co. Reg : 199002667R

Regional Head Office:
TUV SUD Asia Pacific Pte. Ltd.
1 Science Park Drive, #02-01
Singapore 118221
TUV®



PSB Singapore

SPIDER FITTING

Test Report No. 7191147996-MEC16/03-SL
dated 29 NOV 2016

SUBJECT:

Load test for Rotule & Spider

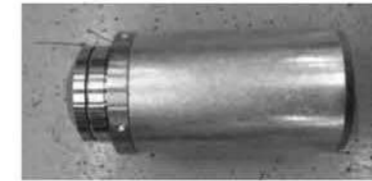


Photo 1 : Rotule

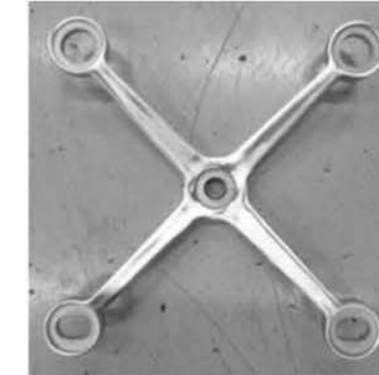


Photo 1 : Spider Fitting

TEST RESULTS:

1. Rotule – Tensile & Shear

Sample reference	Tensile	Shear
Maximum force (kN)	48.9 (4987.8 kgf)	51.9 (5293.8 kgf)
Mode of failure	Stud deformed	Thread damaged

2. Load Test on Spider fitting (Radial & Axial)

Sample reference	Radial	Axial
Maximum force (kN)	6.3 (642.6 kgf)	6.4 (652.8 kgf)
Mode of failure	Spider fixing deform	



Laboratory:
TUV SUD PSB Pte. Ltd.
No.1 Science Park Drive
Singapore 118221

Phone : +65-6885 1333
Fax : +65-6776 8670
E-mail: testing@tuv-sud-psb.sg
www.tuv-sud-psb.sg
Co. Reg : 199002667R

Regional Head Office:
TUV SUD Asia Pacific Pte. Ltd.
1 Science Park Drive, #02-01
Singapore 118221
TUV®



OCCIUS[®]

**WE MODERNIZED
YOUR SPACE**

 Ocius Hardware

www.ocius-hardware.com